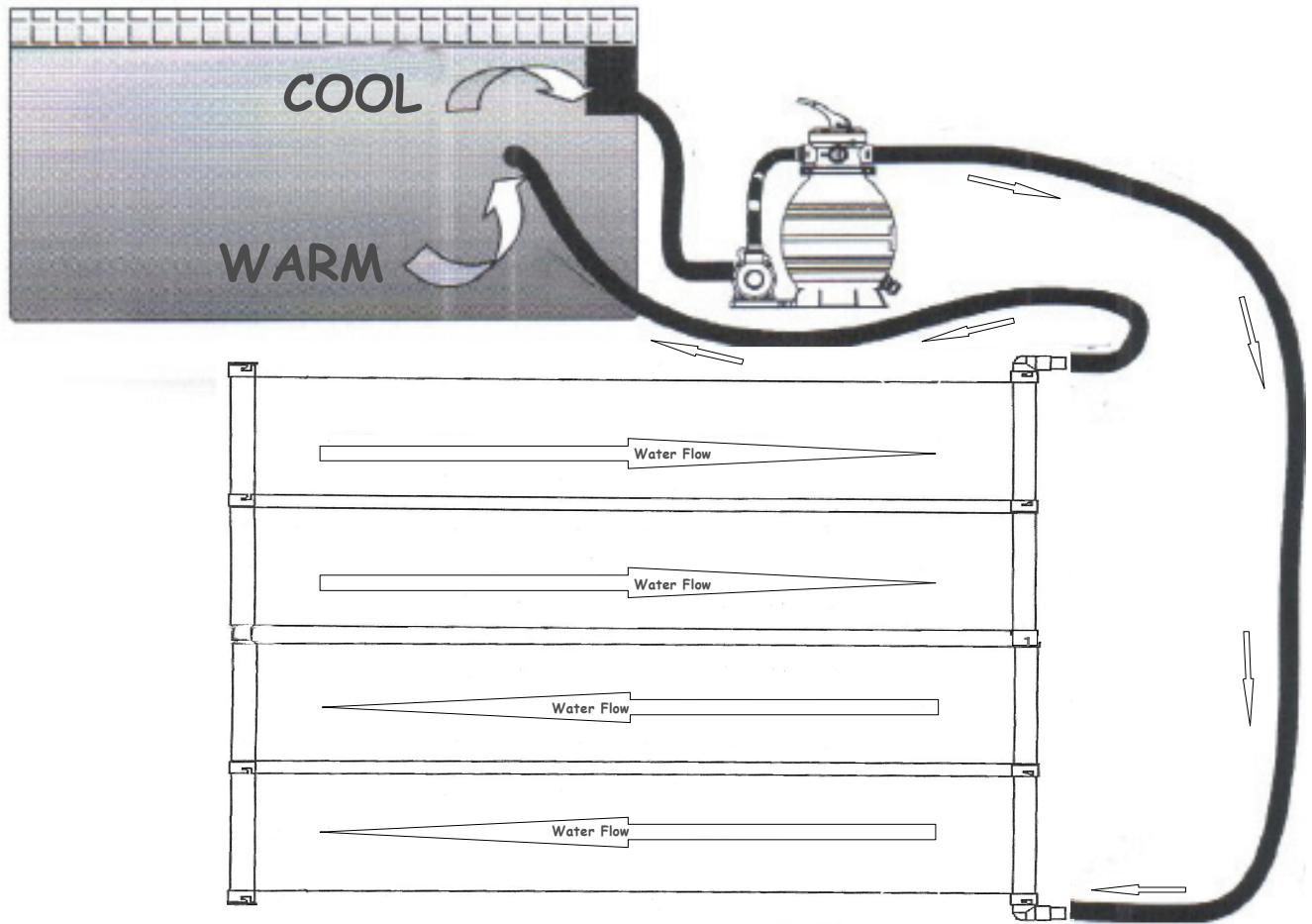




10' SYSTEM

INSTALLATION & OPERATION MANUAL

Please read all instructions carefully before installing your system.
Your warranty and your enjoyment of the ecoSAVER Solar Heating System is affected by the proper installation of this product.



Introduction:

1. The ecoSAVER solar panel system is designed to warm your pool water by absorbing warmth from the sun. The water flows through the multiple tubes in the panels collecting heat as it passes through. The heated water is then returned to your pool, thereby heating your pool and saving energy costs.
2. The ecoSAVER System connects to the pool pump and filter and requires no additional source of energy or power. The pool pump must be running and water must be circulating through the solar panels for water heating to occur.
3. With proper installation, the ecoSAVER system can raise pool water temperature up to 10 – 15 ° F and extend your pool season. (Temperature gain is dependent on the number of hours of sunshine in the middle of the day and the ambient air temperature.)
4. The ecoSAVER system is made from LDPE resin polymers. LDPE is ideal for its flexibility, resilience and chemical resistance. The ecoSAVER system will provide years of use.
5. The flexibility of ecoSAVER's LDPE material allows for easy handling and fast installation.
6. LDPE polymers will withstand temperatures up to 175 ° F. This allows you to install it in direct sunlight in a hot location (such as a hot roof) where it can absorb the maximum amount of heat more quickly.

Proper Sizing of an ecoSAVER System:

1. The number of ecoSAVER solar collector panels required will vary depending on many variables including: the size of the pool, the number of sunny days, and the average air temperature.
2. On cloudy or rainy days water circulation through the ecoSAVER panels may actually cool water. If you run your filter at these times, you may purchase the **optional Diverter Valve Kit (part # ESDK-1)**. Installing a Diverter Valve will allow water to bypass the panels and return directly to the pool.
3. **A solar blanket and reel system must be used for optimal results.** Failure to properly use a solar blanket will diminish heat gain and temperature retention, especially at night. Please cover the pool at night and when not in use.

Determining the Number of Panels Needed:

Round Pool	Oval Pool	Rectangle Pool	20' system (1 panel)	10' system (2 panels)
up to 21'	up to 15' x 25'	up to 14' x 28'	1 system	1 system
24'	15' x 30'	15' x 30'	1 – 2 systems	1 – 2 systems
28' – 30'	16' x 32'	16' x 32'	2 systems	2 systems
33'	20' x 40'	20' x 40'	2 – 3 systems	2 – 3 systems

Northern or cooler climates will require the larger quantity of systems. Warmer climates may use the smaller quantity of systems. **Additional panels can easily be added at a later date if you desire.**

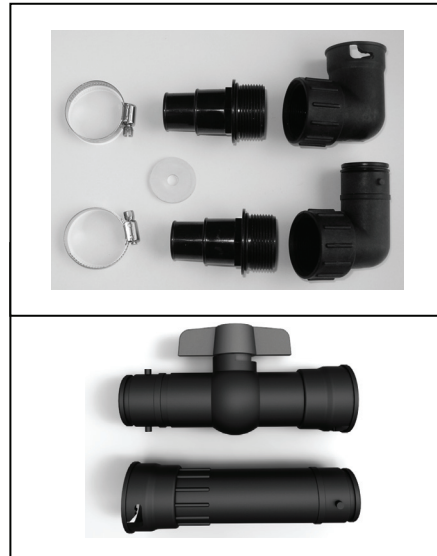
Location of ecoSAVER System:

1. **For best results the ecoSAVER solar heating system must be installed in an area that receives direct sunlight for at least 6 hour a day.** This should be in the middle of the day when temperatures are the hottest.
2. The panels may be placed on the ground, on a rack, or on the roof of a building (i.e. shed, garage, or house). The panels should face **SOUTH** to capture the maximum amount of sunlight. Do not face panels away from the sun, such as on a north-facing roof.
3. If the panel(s) are installed on the ground, **do not place in a high traffic area. Do not walk on the panels** as it may damage them and it will void the warranty.
4. Make sure there are no sharp objects where the panels will lie. Sharp objects can damage the panels and cause leaks.
5. If the system is mounted on a rack, the rack should be placed at an incline of 30 – 45 °. The rack should not be located where a child can climb on it to gain access to the pool.
6. An optional Roof Mounting Kit (#ESRMK-1) is required for proper installation on a roof or rack. (see page 4)
7. With the proper pump size, the system may be located up to 30' from the filter system and on the roof of a 1-story structure.

Pool Pump Size:

1. The pump on the filter system should be a full rated pump of 1HP– 1 1/2 HP.
2. A pump less than 1 horsepower may need to be upgraded for sufficient water flow. After installation of the system and with the filter running, place your hand in the water in front of the inlet fitting. ***If you feel weak flow you may first try placing the panel(s) closer to the pool.*** Upgrade pump if needed.
3. If the pump is larger than 1 1/2 horsepower the ***optional Diverter Valve Kit*** (# ESDK-1) must be installed. Failure to control the amount of water flow with a Diverter valve may result in damage to the panel.

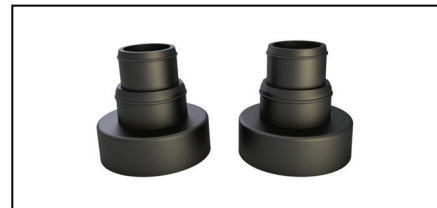
ecoSAVER Hardware Kit and Parts List		
Item No.	Description	Quantity
1	Female Elbow Fitting	1
2	Male Elbow Fitting w/ "O" Ring	1
3	1 1/2" S.S. Clamps	2
4	Hose Adapter w/ "O" Ring	2
5	Water Baffle	1
ecoSAVER Diverter Valve Kit (# ESDK-1) <u>OPTIONAL</u>		
Item No.	Description	Quantity
1	Diverter Valve	1
2	Panel Spacer	1



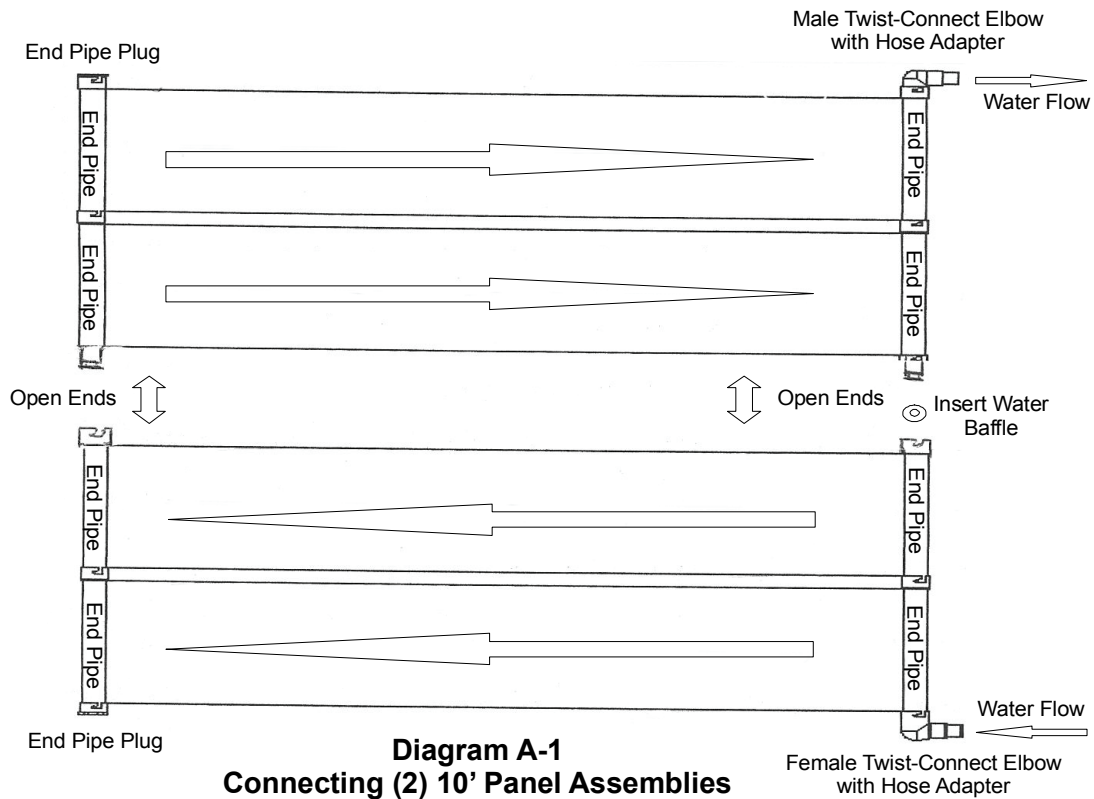
ecoSAVER Roof Mounting Kit (# ESRMK-1) <u>OPTIONAL</u>		
Item No.	Description	Quantity
1	Stainless Steel Bracket	18
2	1.25" x .25" Diam. S/S Screws	18
3	78" x 1/2" Nylon Strap	6



ecoSAVER INTEX Pool Adapter Kit (# ESIK-1) <u>OPTIONAL</u>		
Item No.	Description	Quantity
1	INTEX Hose Adapter	2



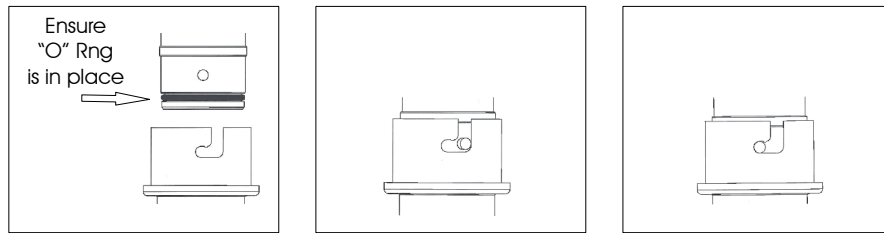
INSTALLING (1) 10' ecoSAVER SYSTEM



1. If you purchased an ecoSAVER system with 10' long panels, 2 Panel Assemblies come in the box.
2. Carefully remove the panel from the box. Each Panel Assembly is made up of 2 half panels attached together at the factory
3. Remove the strap and unroll the 2 Panel Assemblies. **Allow it to sit in the sun so that it will become more flexible.**
4. While the panel relaxes remove the hardware kit from the box and count all pieces to make sure they are all there. (See picture of Hardware Kit and Parts List Page 4)
5. Lay the 2 Panel Assemblies next to each other. The 10' panels arrive with End Pipe Plugs in the required locations for easy assembly. Make sure the open ends (i.e. non-plugged ends) of the End Pipes face each other. (see Diagram A-1).
6. An open male End Pipe Connection must face an open female End Pipe Connection on both sides of the Panel Assemblies.
7. An "O" Ring comes factory-installed on both male end pipe fittings. Check to make sure the "O" Rings are in place. If not, you will need to install them. A support collar comes on the female End Pipe fitting. Check to make sure it is in place.

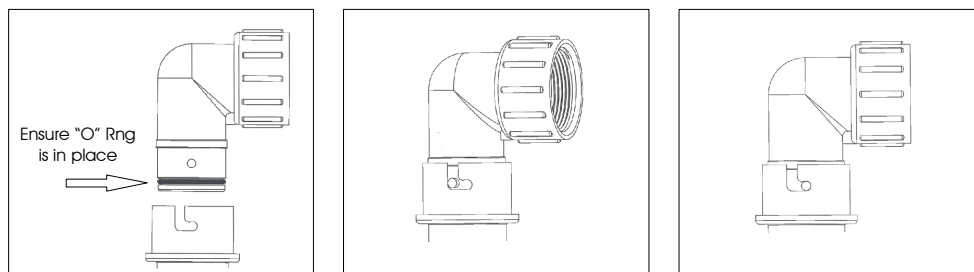
8. Before attaching the panels together, it will be necessary to **install a Water Baffle** to direct the proper flow of water through the panels. The Water Baffle is in the hardware kit. It is a white plastic disc that directs the water through the small tubes. **The Water Baffle is inserted into the female side of the End Pipe before the 2 Panel Assemblies are joined.** The correct location of the Water Baffle controls the flow of water through the panels and **placing the Water Baffle in the correct location is very important.** Failure to use a Water Baffle or placing it in the wrong location will greatly reduce the heating ability of the ecoSAVER system.
9. One Water Baffle is inserted in the End Pipe Connection between the 2 Panel Assemblies at the ***same side*** as the hose hook ups for the filter and the pool. (see Diagram A-1)
10. After installing the Water Baffle, insert the male End Pipe Connection into the female End Pipe Connection and twist to attach the 2 Panel Assemblies together. Repeat this process at both sides of the Panel Assemblies. Make sure the support collar stays in place on the female End Pipe fitting.

10' Panel Assembly - Male Twist-Connect Elbow connects to Female End Pipe Connection

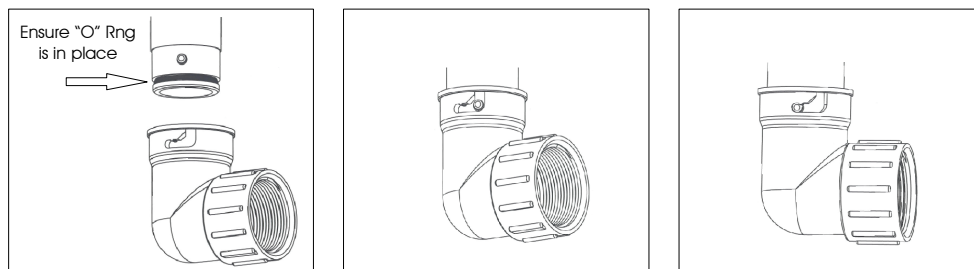


11. There is a male and female Twist-Connect Elbow. Check to make sure the “O” Rings are in place on the male side of the End Pipe and the male Twist-Connect Elbow. (see Diagram B1 and B2)
Attach both Twist-Connect Elbows to the proper sides of the End Pipe.

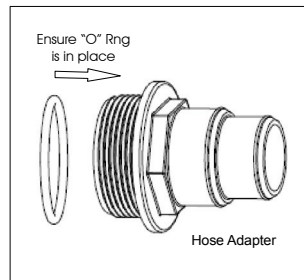
B1: Male Twist-Connect Elbow connects to Female End Pipe Connection



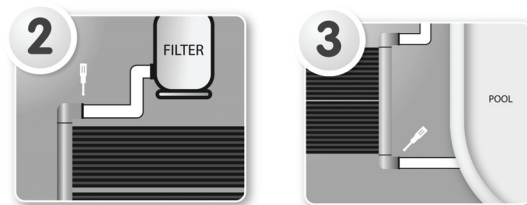
B2: Female Twist-Connect Elbow connects over Male End Pipe Connection



12. Next thread a Hose Adapter into each Twist-Connect Elbow. Hand tighten the Hose Adapter until the “O” Ring seals with the elbow. Do not over tighten.

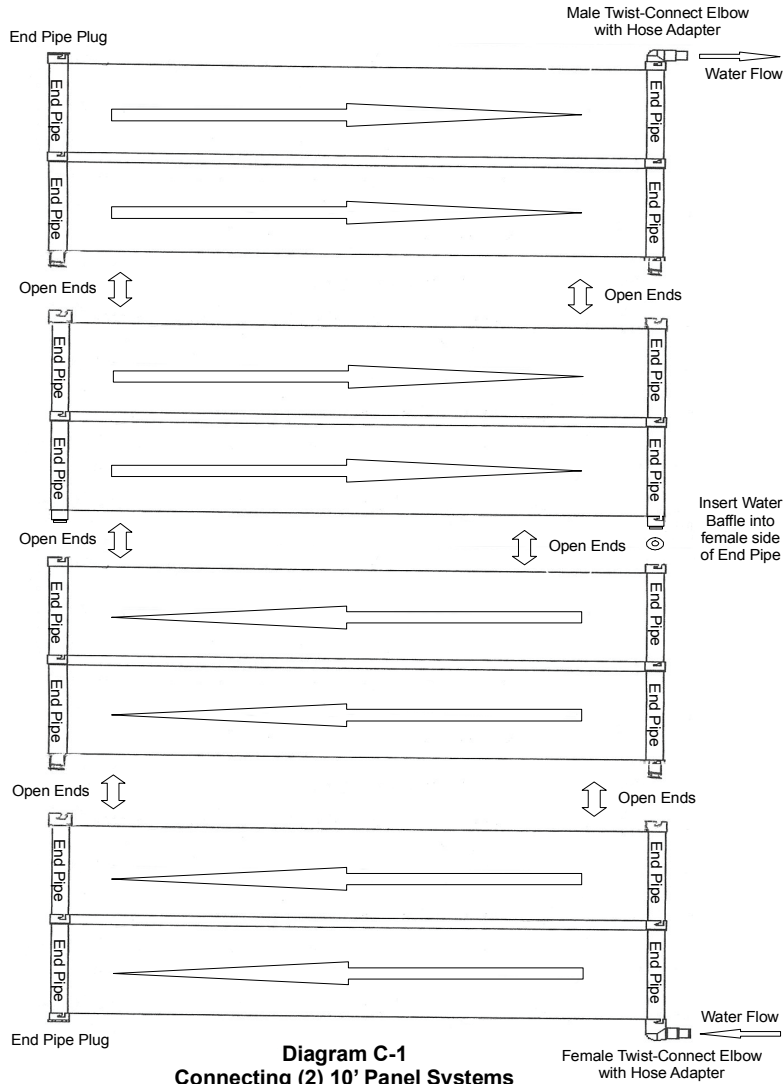


13. **Block the skimmer and inlet fitting to the pool so that water does not rush out.** You are now ready to attach the hoses that connect the ecoSAVER panel to the filter system and the pool (see # 2 and 3 below). The hoses are not supplied and may be purchased at your local pool dealer.
14. If you are using standard ribbed above ground pool hose place a stainless steel clamp over the (2) hoses you will be using – (1) from the filter to the solar panel and (1) from the solar panel to the pool inlet (see #2 and #3 below). Connect the hoses on to the Hose Adapters on the panel and tighten the clamps. Do not over-tighten.



15. Put a clamp on the hose that will attach to the filter. Put the hose on the filter outlet fitting and tighten the clamp. Do not over tighten.
16. Put a clamp on the hose that will connect to the pool inlet. Put the hose on the inlet fitting and tighten the clamp. Do not over tighten.
Unblock the pool skimmer and inlet fitting.
17. Turn on the pool filter and check to make sure all connections are watertight. You are ready to heat your pool water.
18. **If you are planning to use schedule 40 plumbing pipe you will not use the Hose Adapters provided in the hardware kit.** You will need to purchase schedule 40 plumbing adapters from your dealer. The basic points of connection and flow of water remain the same. Schedule 40 plumbing pipe and fittings are simply replacing the above ground hose and fittings.
Your pool dealer will advise you on these items for this installation.

INSTALLING (2) OR MORE 10' ecoSAVER SYSTEMS



1. You may be using 2 or more panel systems depending on pool size. It is easy to connect 2 or more panel systems together.
2. The diagrams and instructions below will show how to attach multiple panel systems together. (see Diagram C-1)
3. Each 10' ecoSAVER system has 2 Panel Assemblies in the box, so you will be installing 4 Panel Assemblies.
4. Lay the 4 Panel Assemblies next to each other.

- Remove the necessary End Plug Pipes so that the End Pipes of the panels may be connected together. Only 2 End Pipe Plugs remain in place.



Remove End Pipe Plugs as necessary

- Insert **only one** Water Baffle in the center of the End Pipes **at the filter hook-up side of the panel system.** (There should be an equal number of panels on each side.) **Only one** Water Baffle is used in the entire system. It is inserted into the female side of the End Pipe before the panels are joined. The correct location of the Water Baffle directs the flow of water through the panels and **placing the Water Baffle in the correct location is very important.** Failure to use a Water Baffle or placing it in the wrong location will greatly reduce the heating ability of the ecoSAVER system. (see Diagram C-1)
- Twist-connect all of the panels together. Make sure the support collar stays in place on the female End Pipe fitting.
Refer to points 10. through 17 on pages 6 and 7.
- Hook up the filter hose to one side of the panel and pool hose to the other side as described above and the system is ready to use. **Special Note:** If you are installing 3 (or more) panel systems **only one** Water Baffle is used. It will be located in the center of the system with an equal number of half panels on each side of it. All other Water Baffles must be **REMOVED.** Additional End Plugs will also need to be removed to connect all panels together.
- Refer to Use and Maintenance (page 10) and the Optional Diverter Valve Kit (part # ESDK-1) Installation (page 12)**

Use and Maintenance:

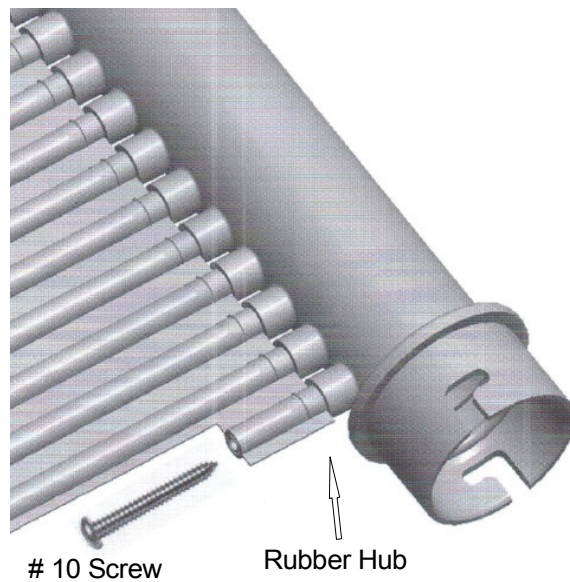
1. Once installed, your ecoSAVER Solar Heating System is easy to use. Simply turn the filter system on and your system is working.
2. Place your hand in the water in front of the pool inlet fitting. You should feel a reasonable flow of water returning to the pool. If you do not, you may need to check the size of the pool pump. You may also need to check that only one Water Baffle has been installed in the system.
3. The filter should be run at least 6 hour a day during the sunniest and hottest part of the day for maximum heat gain to occur.
4. When the system is running the small tubes of the panel will feel cool to the touch as the water passing through the tubes absorbs the warmth of the sun. If the sun is shining and the system is not running the panels will be hot to the touch.
5. ***If the pool filter is run on cool cloudy days or at night it is recommended that an optional Diverter Valve (Part # ESDV-1) be used to allow water to by pass the small tubes of the solar panel. Running water through the panels at these times will cool the water.***
6. ***It is strongly recommended that a solar blanket and reel system be used for optimal results.*** Failure to properly use a solar blanket will diminish temperature retention, especially at night. Please cover the pool at night and when not in use

Winterizing the ecoSAVER System:

1. ***Your ecoSAVER solar panels must be drained for the winter if temperatures in your region drop below 32 ° F at any time. THE WARRANTY DOES NOT COVER DAMAGE FROM FREEZING WATER.***
2. For an above ground pool with a ground-mounted solar panel, winterize the pool per the manufacturer's instructions. Remove the hoses to the panel. Drain the panel and store it in a warm place for the winter.
3. For a rack, roof or In Ground pool installation, remove the 2 Twist-Connect Elbows and allow the water to drain. This may take ½ hour as the tubes are small and drain slowly. Blow out the panel in the same way you blow out plumbing lines. If you are still uncertain that all the tubes are fully drained, lift the panels at one end to allow any remaining water to drain.
4. The ecoSAVER panels are designed to withstand winter temperatures and once fully drained, may be left outside on a roof or rack. However, it is recommended that the panels be stored inside during the winter in areas subject to freezing temperatures. The Twist-Connect Elbows were specifically designed to allow easy installation and ***removal*** of the panels

Panel Repair:

1. If a tube in a panel is nicked, cut or damaged in any way so that the tube leaks the panel may be repaired.
2. With a sharp utility knife carefully cut away approximately 12” of the damaged tube at each end of the tube where it connects with the rubber hub of the End Pipe. Do not cut away the hub.
3. Screw a #10 stainless steel sheet metal screw into the hub at each end. Do not over tighten. This will seal off that specific tube. Water will no longer flow through it, but the rest of the panel will still work well.
4. If the #10 screw strips out over time, try a #12 screw in its place, as this will usually work to extend the life of the repair.
5. When the repair no longer works or ***if multiple tubes are damaged, the complete half panel may be easily removed and replaced with a new half panel.*** The twist-connect panels were specifically designed to allow easy removal and installation of a new panel.



Optional Diverter Valve Kit (part # ESDK-1) Installation

ecoSAVER Diverter Valve Kit (#ESDK-1)		
<u>OPTIONAL</u>		
Item Number	Description	Quantity
1	Diverter Valve	1
2	Panel Spacer	1

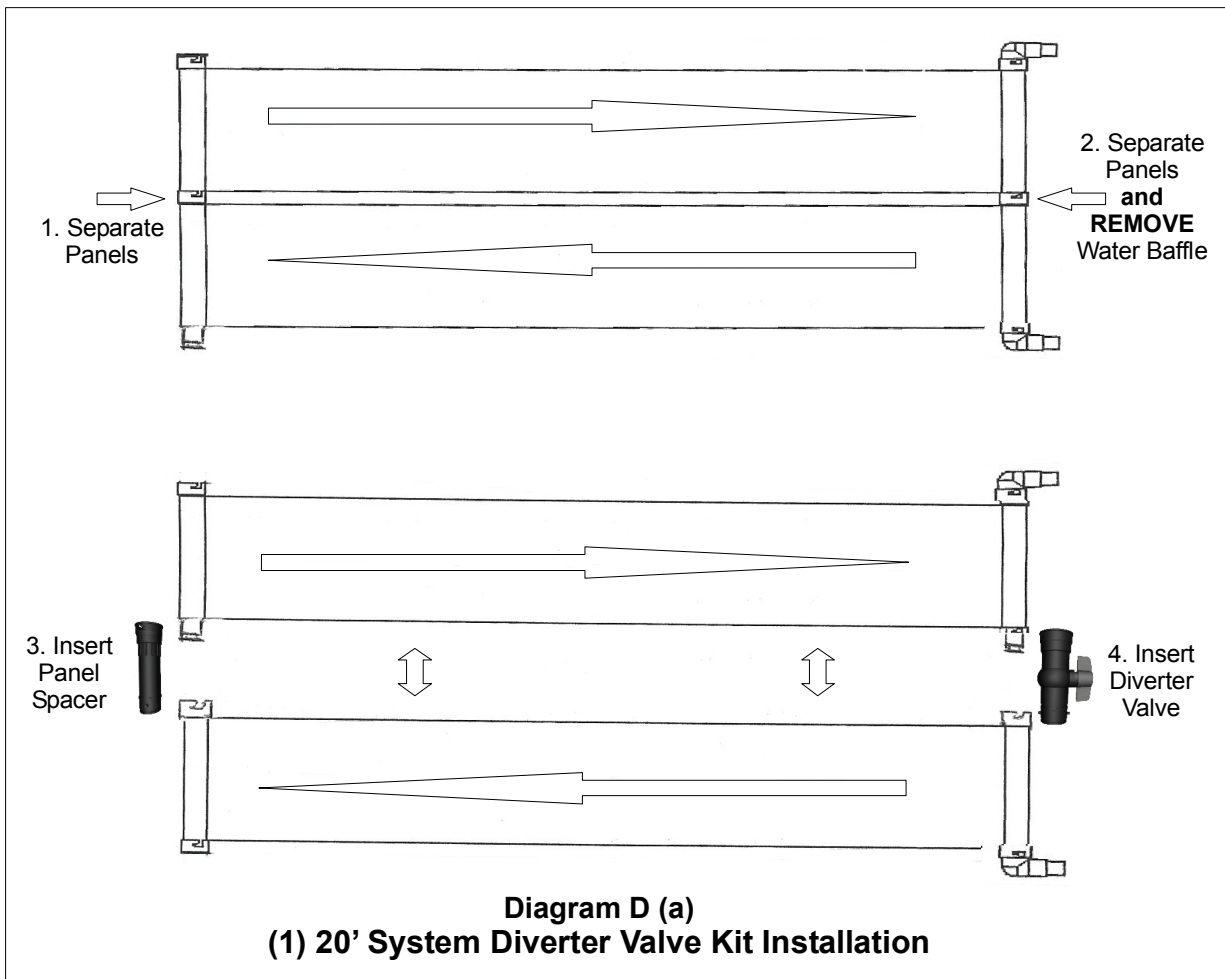


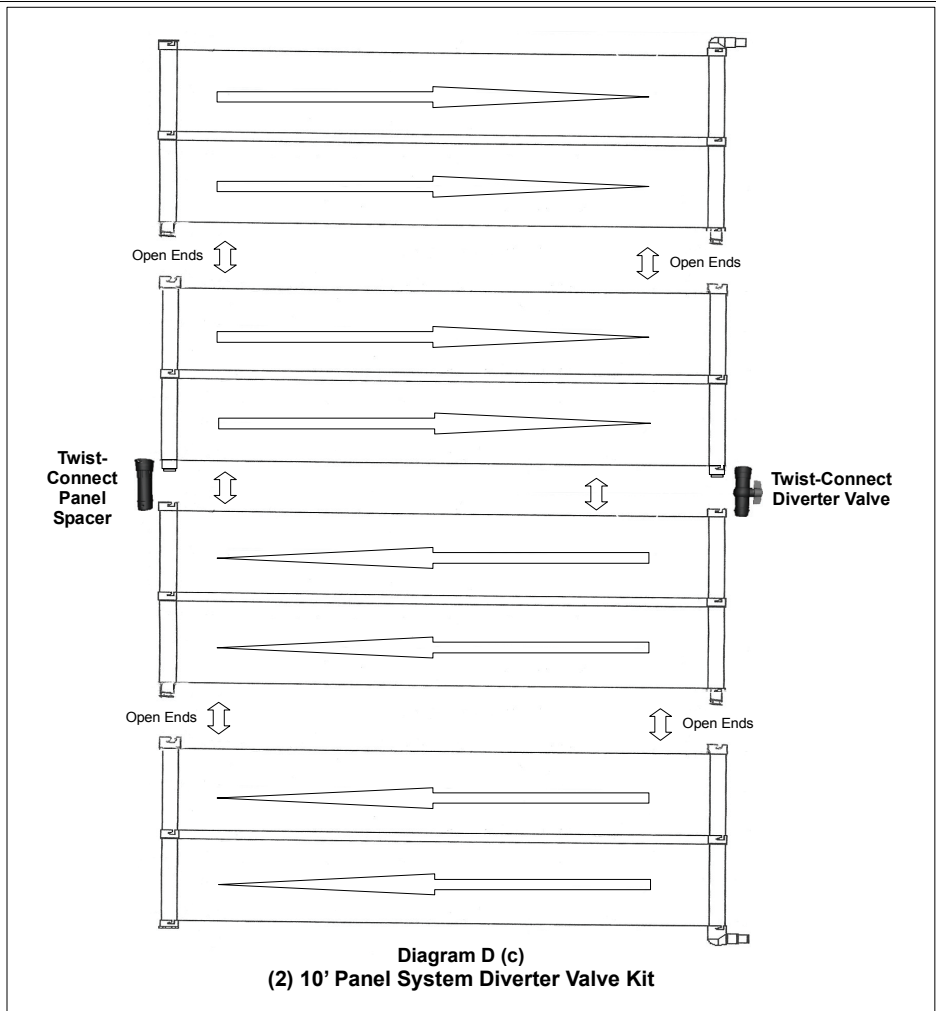
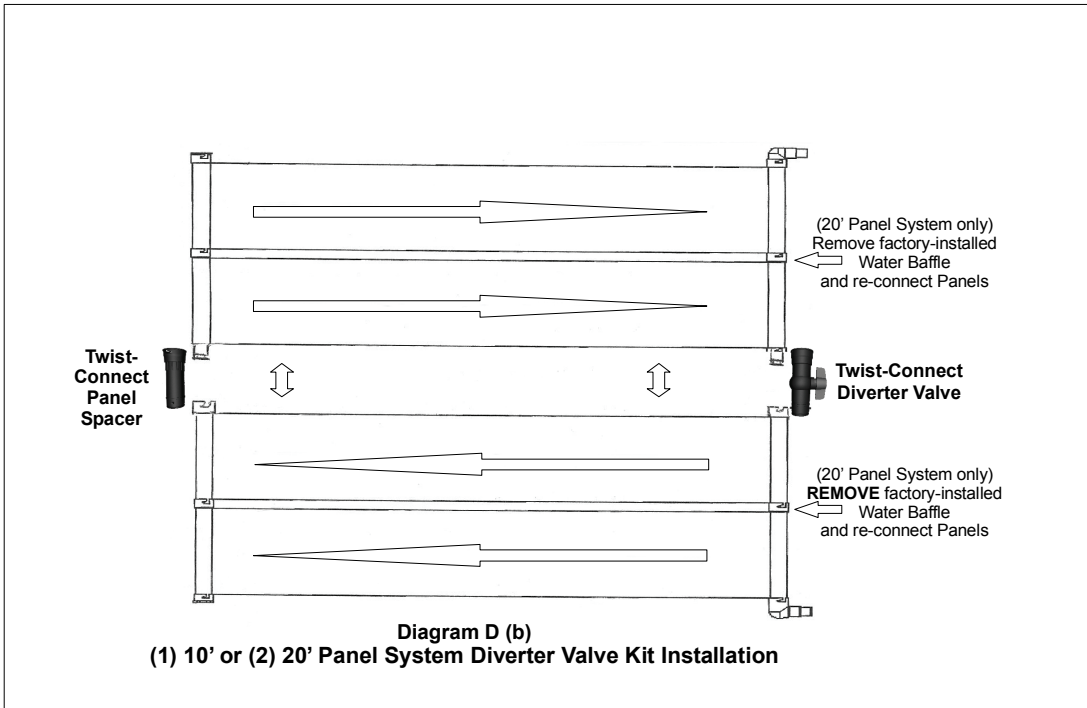
1. **A Diverter Valve is used in place of a Water Baffle** (A Diverter Valve and a Water Baffle are **NEVER** used in the same system.) The Diverter Valve allows some or all of the water to bypass the small tubes of the ecoSAVER solar heating system. The small tubes are where the heat collected from the sun is transferred to the water. Water that does not flow through these tubes will not be heated.
2.
 - a.) You may wish to use a Diverter Valve in mid-summer to prevent the water from becoming too warm.
 - b.) You may wish to use a Diverter Valve if you run your filter at night or on cool cloudy days. Water passing through the panels at these times will be cooled.
 - c.) You may need to use a Diverter Valve if you have a very powerful pump to prevent damage to the tubes in the panels.
3. A Diverter Valve Kit consists of the actual valve that is installed inline in the panel end pipe and a Twist-Connect) Panel Spacer that is installed in the End Pipe at the opposite side from the Diverter Valve.
4. Please examine the Diverter Valve and note the location of the valve handle when it is in a closed position, in an open position, and in a partially open position.
5. A closed Diverter Valve directs all of the water through the tubes for **maximum heating**.
 An open Diverter Valve allows all of the water to bypass the tubes and **no heating takes place**.
 A partially open Diverter Valve directs some of the water through the tubes and allows some of the water to bypass the tubes to control the rate of heating of the water or to control the pressure that is put on the tubes from an oversized pump.
6. **On a Single 20' System**: the 2 panel halves are disconnected at the center of the end pipes at the twist connect points. The Water Baffle is REMOVED from the filter hookup side. Place the Diverter Valve between the panel halves at the side where the filter and pool hoses connect. Place the Panel Spacer between the panel halves at the opposite side. **Make sure the "O" Rings are in place on the male ends of both the Valve and the Spacer**. Make sure the support collar stays in place on the female End Pipe fitting. Insert and twist-connect the Valve and the Spacer into the 2 panels. You are now ready to control the flow of water through the many small tubes of the ecoSAVER system. (see Diagram D (a))
7. **On a Double 20' System**: 2 factory-installed Water Baffles MUST be removed as described above in the instructions for "Connecting 2 Panel Systems Together". Place the Diverter Valve between the panels at the side where the filter and pool hoses connect. Place the Panel Spacer between the panels at the opposite side.

Make sure the “O” Rings are in place on the male ends of both the Valve and the Spacer. Make sure the support collar stays in place on the female End Pipe fitting. Insert and twist-connect the Valve and the Spacer into the 2 panels. You are now ready to control the flow of water through the many small tubes of the ecoSAVER system. (see Diagram D (b))

8. **On a Single 10’ System:** The Diverter Valve and the Panel Spacer are installed between the 2 panels. When installing a Diverter Valve and Panel Spacer on a 10’ system **NO** Water Baffle is installed. Place the Diverter Valve between the panels at the side where the filter and pool hoses connect. Place the Panel Spacer between the panels at the opposite side. Make sure the “O” Rings are in place on the male ends of both the Valve and the Spacer. Make sure the support collar stays in place on the female End Pipe fitting. Insert and twist-connect the Valve and the Spacer into the 2 panels. (see Diagram D (b))

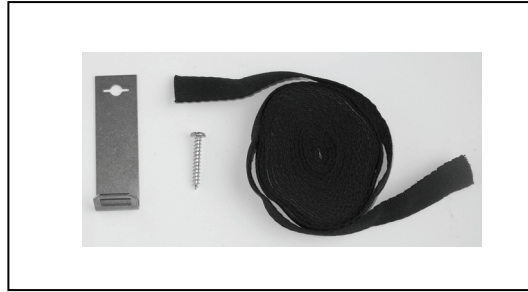
9. **On a Double 10’ System:** The Diverter Valve and the Panel Spacer are placed in the middle of the system with an equal number of panels on either side. **Do NOT** install a Water Baffle. Twist-connect all panels together as described above. (see Diagram D (c))





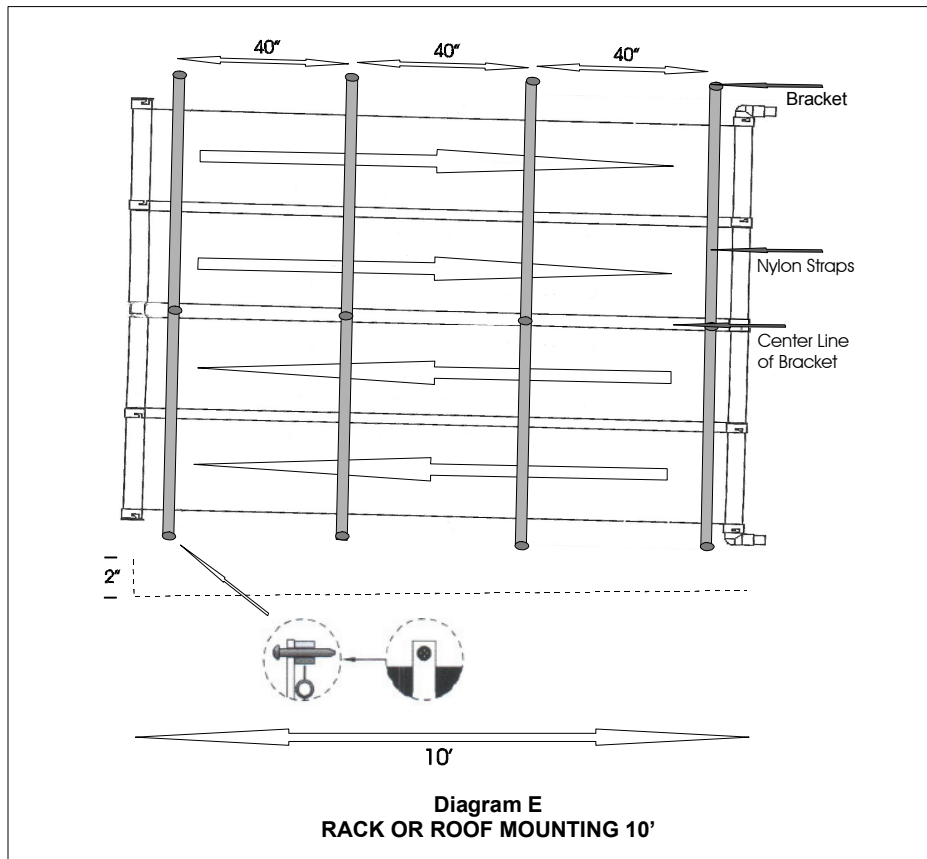
Optional Rack or Roof Mounting Kit: (part # ESRMK-1) Installation

ecoSAVER Roof Mounting Kit (# ESRMK-1) <u>OPTIONAL</u>		
Item Number	Description	Quantity
1	Stainless Steel Bracket	18
2	1.25" x .25" Diam. S/S Screws	18
3	78" x 1/2" Nylon Strap	6

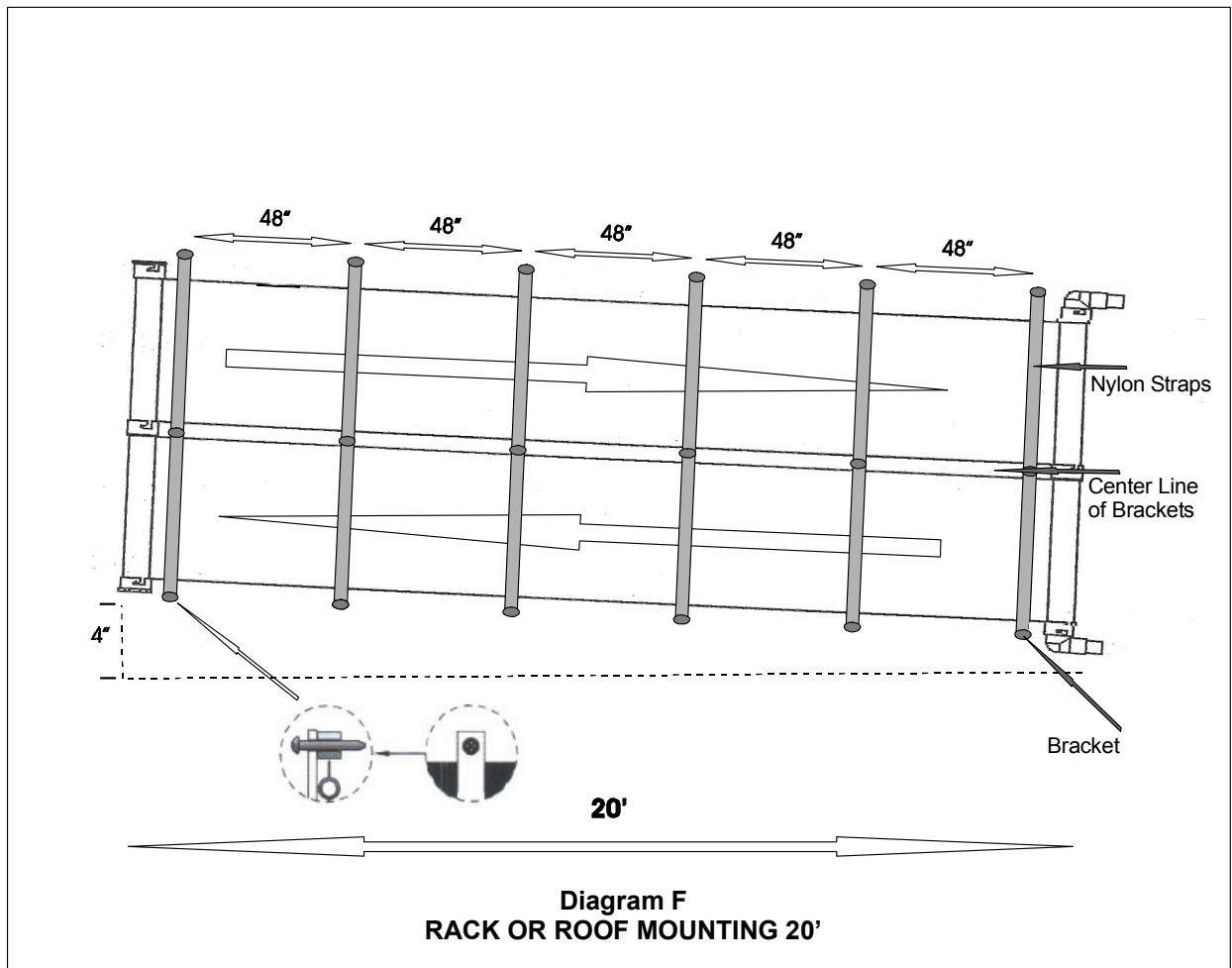


1. If you choose to install your solar panels on the roof of a building you must have proper ladders and safety equipment for such work. ***If you do not have the proper equipment and experience of working on roofs it is strongly recommended that you hire a professional to complete the installation of the solar panels. Falling from a roof can cause serious injury.***
2. If mounting the solar panels on a rack, the rack should be placed at an incline of 30 – 45 °. The rack should not be located where a person can climb on it to gain access to the pool.
3. The roof or rack that a solar panel system is mounted on should be facing **SOUTH** toward the sun. A north facing panel system will not warm the water.
4. You will need to purchase one **or more** of the Roof Mounting Kit (#ESRMK-1) (see Diagram E). You will also need to purchase a good quality exterior silicone sealant suitable for use on a roof.
5. If the system is to be mounted on a roof it is recommended that you use schedule 40 PVC plumbing pipe for connecting your solar panels to the filter and pool. You may buy this at your pool dealer or a home improvement store.
6. Locate the place on the roof or rack where the panel(s) will be installed. The panels must be installed at an angle, such that the hook-up side is lower than the opposite side (see Diagram E & F). This will allow the panels to be drained for the winterization.
7. Plan a slope of 2" from one end to the other for a 10' panel system (see Diagram E). Plan a slope of 4" for a 20' panel system (see Diagram F). Next draw a chalk line where the bottom edge of the panel will be.
8. One row of stainless steel brackets from the roof mounting kit will be installed along this line. A bracket must be installed every 4' as a maximum distance. In high wind areas the brackets should be installed every 2'. ***Installing in high wind areas will require you to purchase more than 1 roof mounting kit.***
9. Drill a 1/8" pilot hole where each bracket is to be located. Put sufficient silicone sealant in each hole so that no damage is done to your roof. Screw the stainless steel bracket in place with the stainless steel screws included in the kit so that the bottom edge of the panel will sit in the "J Hook" of the bracket. (Horizon is not responsible for any damage to roof from improper installation.)

10. Repeat this process for the center line of your panel system locating each bracket vertically in line with the lower bracket.
11. Install a line of brackets at the top edge of the panel system with each bracket in line with the 2 brackets below it.
12. Thread a web strap through a row of 3 vertical brackets and tie the strap to the top and bottom bracket. Repeat this for each vertical row of brackets. These straps hold the panel to the roof when the wind blows.



- **2" rise over 10' distance**
- **4 straps minimum**
- **40" maximum between straps**
- **High wind areas require more Straps / Brackets**



- *4" rise over 20' distance*
- *48" maximum between straps*
- *High wind areas require straps every 24". MUST purchase 2 Rack or Roof Mounting Kits.*

ecoSAVER WARRANTY

1. Horizon warrants it's ecoSAVER solar panels for 5 years from the date of purchase on a pro rata basis with terms and conditions described below and extends this limited warranty to the original retail purchaser.
2. From the date of purchase and for the next 5 years the following pro rata schedule applies:
 Year 1 - full warranty replacement
 Year 2 - purchaser pays 50% Of suggested list price at time of replacement
 Year 3 - purchaser pays 60% Of suggested list price at time of replacement
 Year 4 - purchaser pays 75% Of suggested list price at time of replacement
 Year 5 - purchaser pays 90% Of suggested list price at time of replacement
3. After the prepaid return of a solar panel to Horizon at it's location in Chicago IL, Horizon will at it's sole discretion repair or replace any solar panel found to be defective in material or workmanship subject to the limitations and exclusions listed below.
4. Horizon does not warrant any damage to the solar panels or failure of the solar panel system due to:
 - Improper installation or failure to follow the instructions provided by the manufacturer;
 - Freezing caused by improper winterization, drainage or storage of the solar panel system;
 - Damage caused by or related to repair or alterations performed by any service other than those authorized by Horizon;
 - Improper handling or misuse of the product, or use for any other purpose than for which it was intended.
5. Horizon does not warrant any parts that are deemed consumable such as "O" Rings, Nylon Straps and Plastic Hose provided by other manufacturers.
6. This warranty does not constitute either a performance or satisfaction guarantee. It is the responsibility of the product owner to regularly test and check the product for proper function and safety.
7. Any parts sent to Horizon and returned to the purchaser shall be removed and installed or reinstalled at the owner's expense. Under no conditions will Horizon or Dealer be responsible for labor charges, loss of water or chemicals. The purchaser must prepay freight charges for any parts sent to Horizon for repair or replacement. Freight charges for the return of parts to the purchaser shall be paid by purchaser.
8. This warranty extends only to the original purchaser of the ecoSAVER solar panel system whose name appears as purchaser on the original retail receipt and no rights accruing to the original purchaser under this warranty shall be assigned to any subsequent purchaser.
9. This warranty shall be unenforceable so long as the purchaser is in default under any agreement executed in connection with the purchase or installation of the ecoSAVER solar panel system.
10. Horizon shall in no way be liable or responsible under any circumstances or in any amount for:
 - Any consequential or incidental damages or injury to person or property using or used in connection with this product;
 - Any other warranties or representations, either express or implied, whether of merchantability, fitness for a particular purpose, or other, made by Horizon, other than those specifically set forth in this warranty;
 - No person, firm or Corporation is authorized to make any representations or incur any obligations in the name of or on behalf of Horizon except as stated herein;
 - This warranty is expressly understood to be the exclusive remedy available to the purchaser and contains the full and complete agreement between Horizon and the purchaser.

To initiate a claim: **Submit Original Retail Receipt (Proof of Purchase)**

Call: 773-287-7131 **Fax:** 773-287-7146 **Email:** horizon1542@sbcglobal.net or

Mail: Horizon Ventures 5050 West Lake Street, Chicago Illinois 60644 *Please allow 4 – 6 weeks for warranty claims to be settled.*



WARRANTY REGISTRATION ecoSAVER Solar Heating System

Please Print

PURCHASER: _____

ADDRESS: _____ CITY: _____

STATE/PROVINCE/COUNTRY: _____ ZIP/POSTAL CODE: _____

MODEL:

10' ecoSAVER System

20' ecoSAVER System

DEALER NAME

1/1/11

PURCHASE DATE

SIGNATURE